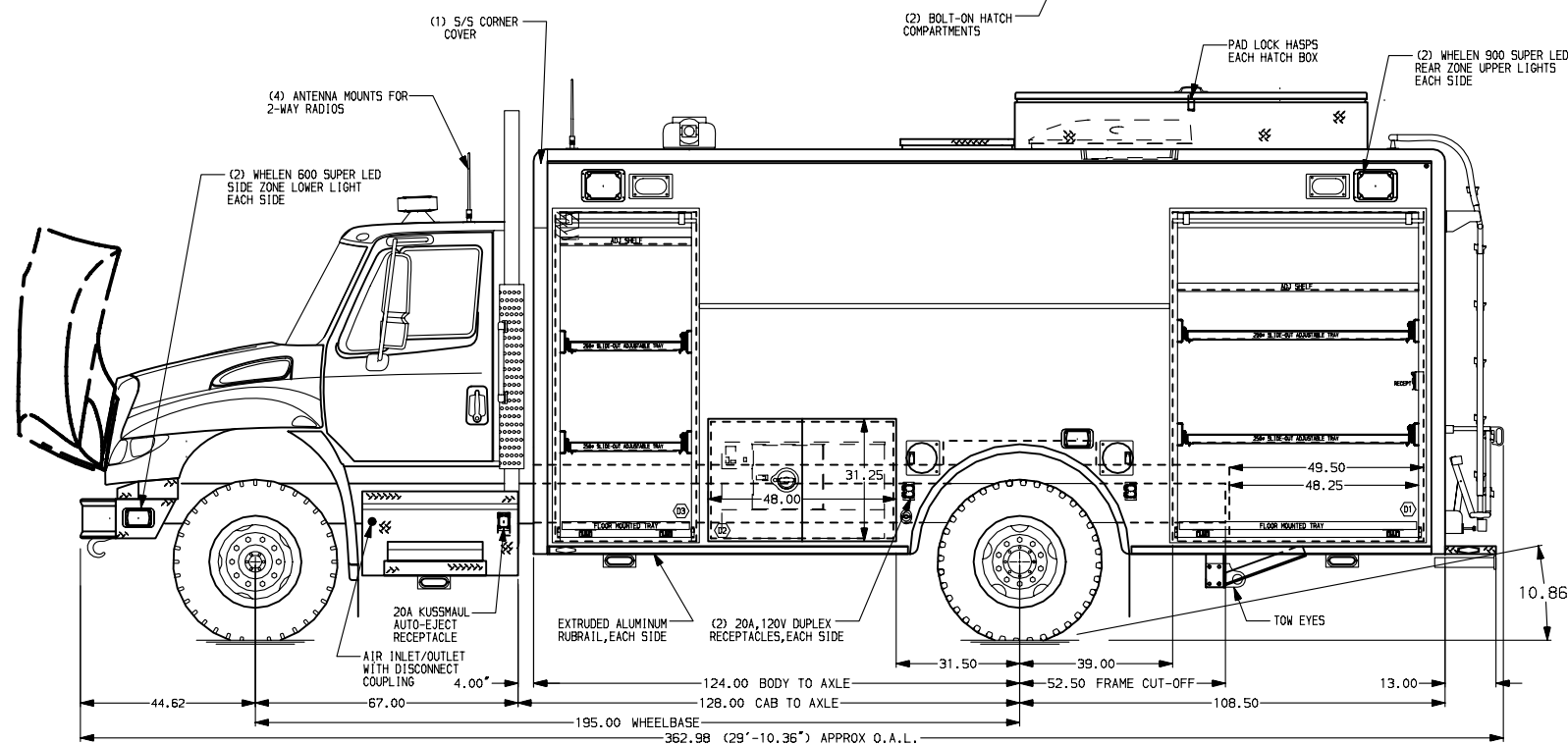
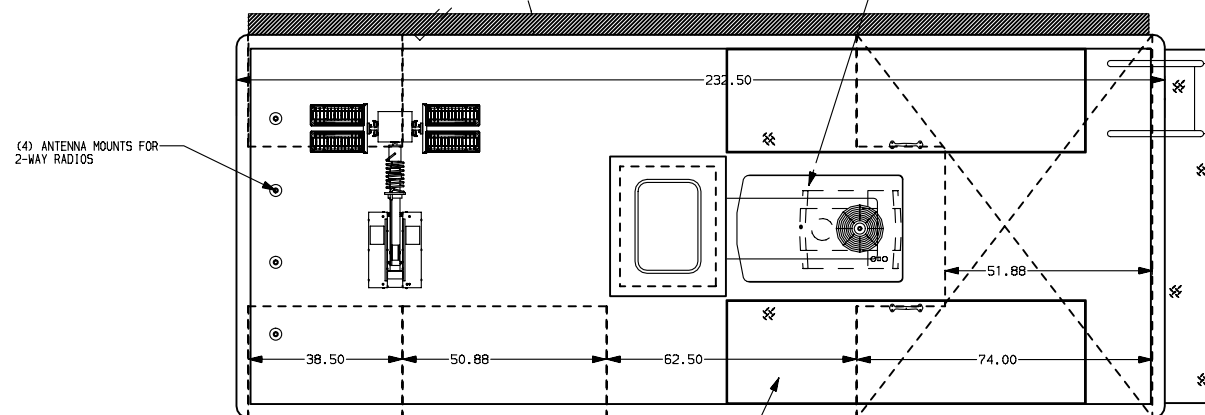
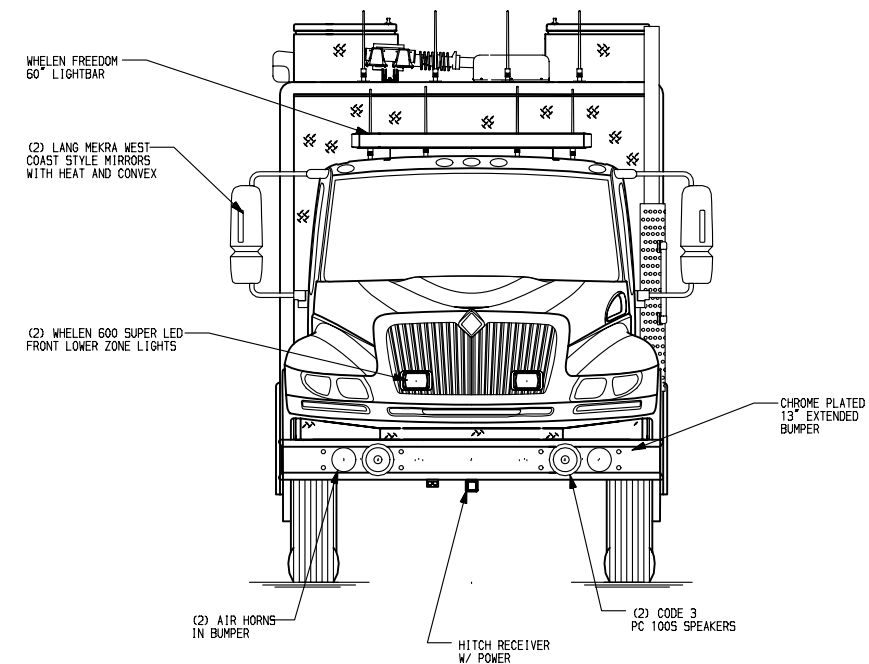
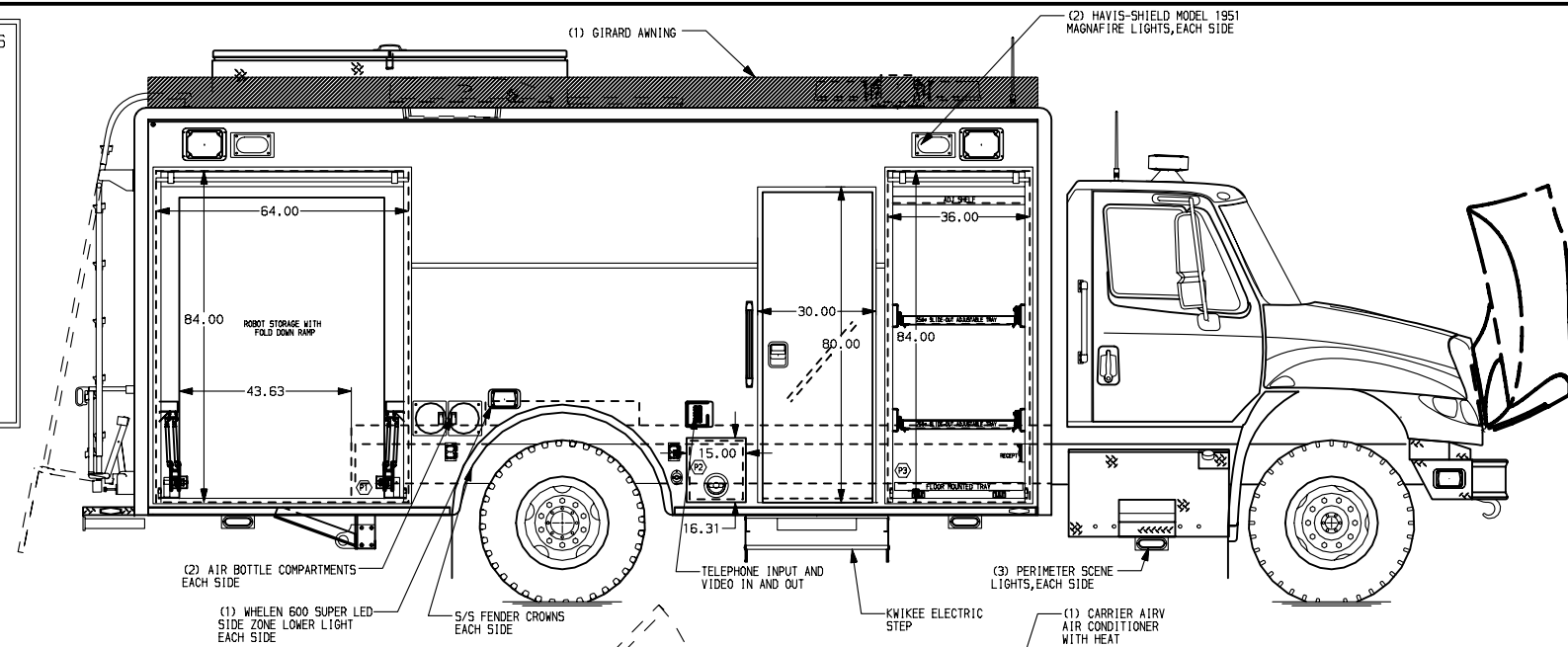


**PASSENGER'S SIDE COMPARTMENTS CONTAIN THE FOLLOWING:**

COMPARTMENT P1 CONTAINS:  
- (1) 80" LONG FOLD DOWN RAMP

COMPARTMENT P2 CONTAINS:  
-

COMPARTMENT P3 CONTAINS:  
- (1) 22" DP FLOOR MOUNTED TRAY  
- (1) PASS-THRU TO INTERIOR (UPPER 20")  
- (1) 22" DP ADJ SHELF UP BY PASS-THRU

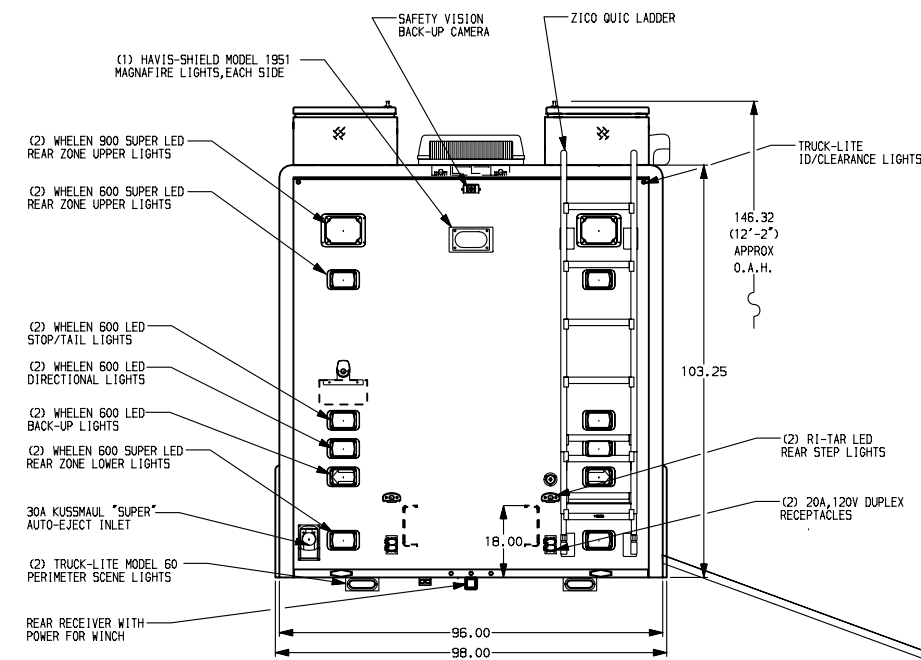


**DRIVER'S SIDE COMPARTMENTS CONTAIN THE FOLLOWING:**

COMPARTMENT D1 CONTAINS:  
- (1) 22" DP ADJ SHELF  
- (1) 22" DP FLOOR MOUNTED TRAY  
- (2) 22" DP SLIDE OUT TRAYS

COMPARTMENT D2 CONTAINS:  
- (1) ONAN 12.0kW QUIET DIESEL GENERATOR

COMPARTMENT D3 CONTAINS:  
- (1) KUSSMAUL AUTO CHARGE 12 HD  
- (1) 22" DP FLOOR MOUNTED TRAY  
- (1) PASS-THRU TO INTERIOR (UPPER 20")  
- (1) 22" DP ADJ SHELF UP BY PASS-THRU

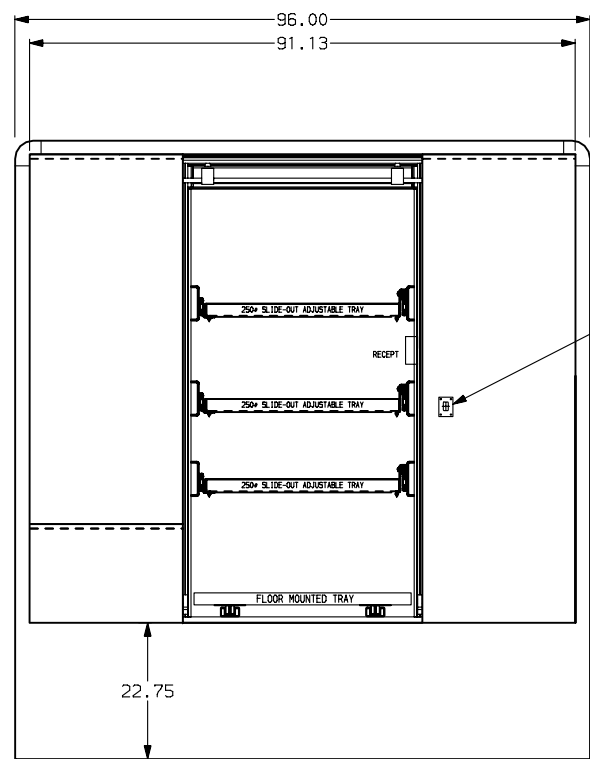


**NOTE**  
DIMENSIONS SHOWN ARE APPROXIMATE AND ARE SUBJECT TO MINOR DEVIATIONS AS MAY OCCUR OR BE NECESSARY IN CONSTRUCTION. MINOR DETAILS NOT SHOWN.

- NOTES:**
- ONSPOT AUTOMATIC TIRE CHAINS
  - WARN 9,000# PORTABLE WINCH
  - PULL STRAPS ON D1, D3, P1, P3 ROLL UP DOORS

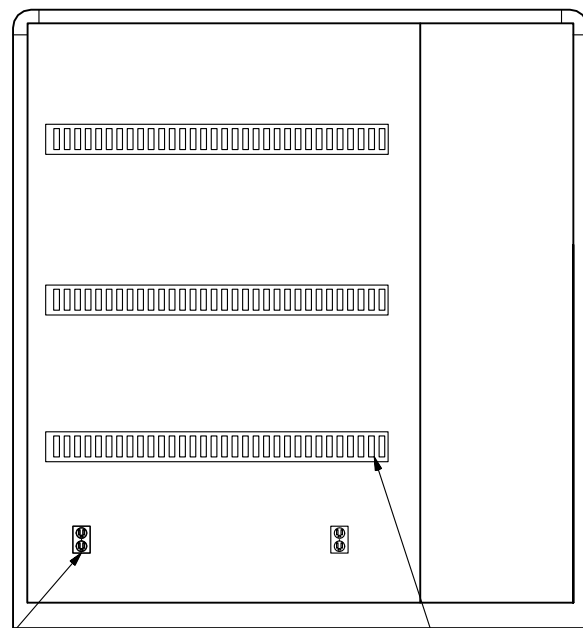
CUSTOMER APPROVAL				
APPROVED BY: _____				
DATE: _____				
14NOV07	EWI	TEO	CHASSIS DATA	TITLE
13OCT07	EWI	TEO	MAKE	HEAVY DUTY RESCUE WALKIN
17AUG07	DHE	JJS	1HC	FOR
23JUL07	DHE	JJS	MODEL	PITTSBURGH POLICE ALLEGHENY, PA
REV	DATE	BY	CH	DWG NO.
			4400	19948AD-SH1

		JOB NO.	19948
		SCALE	1:24
		DATE	
DRAWN BY	DHE	DATE	02JUL07
CHECKED BY	JJS	DATE	11JUL07
SHEET SIZE	D	SHEET NO.	1 OF 2



VIEWED TOWARDS THE FRONT

REMOTE GENERATOR START SWITCH

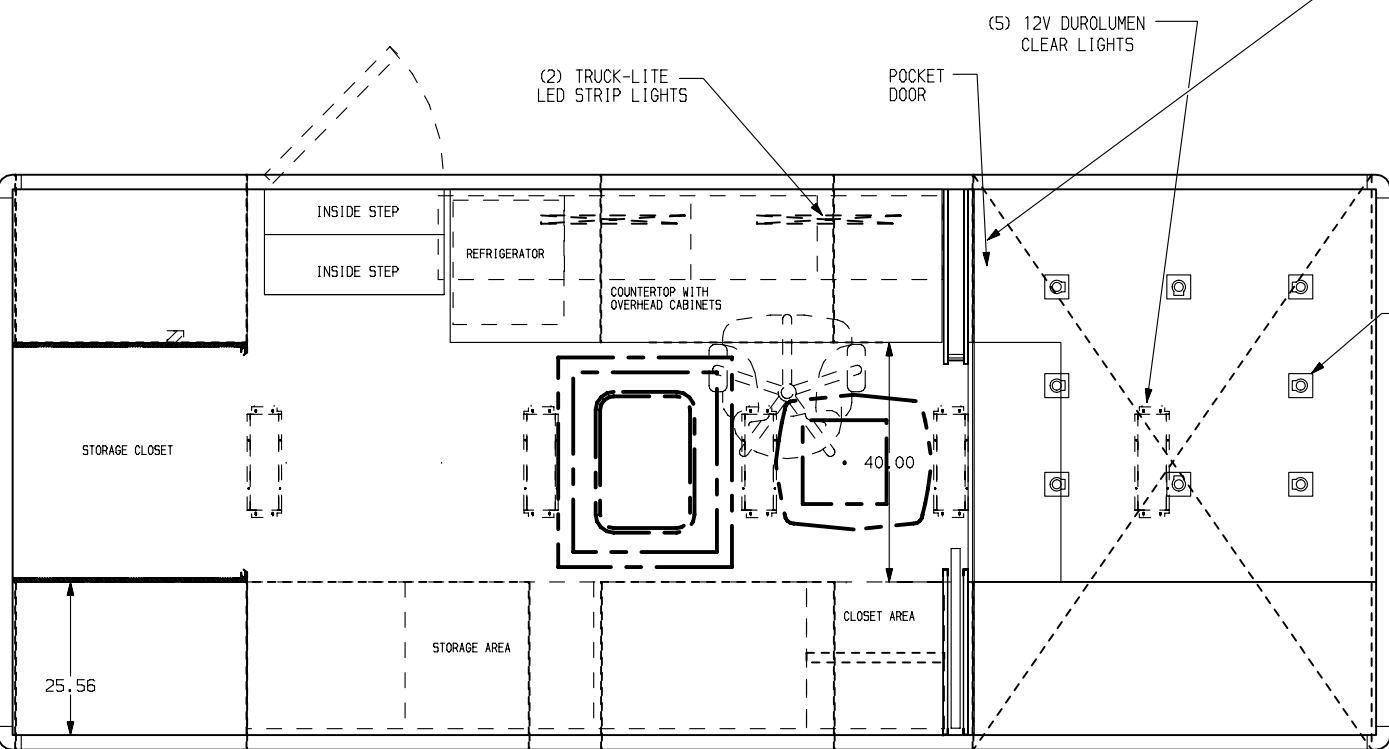
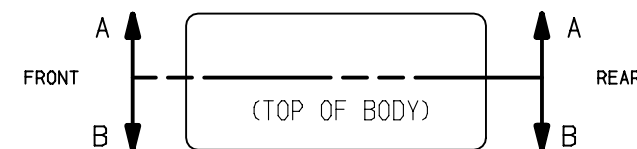
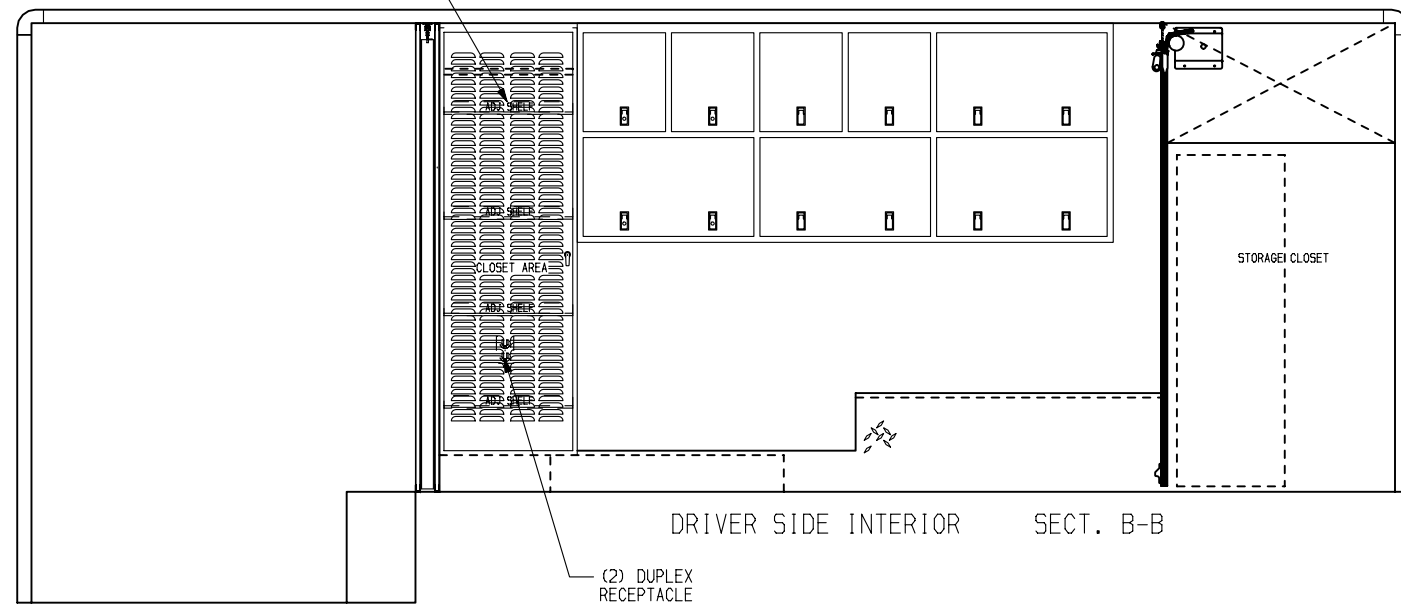


VIEWED TOWARDS THE REAR

(2) DUPLEX RECEPTACLE

REAR

(4) ADJUSTABLE SHELVES

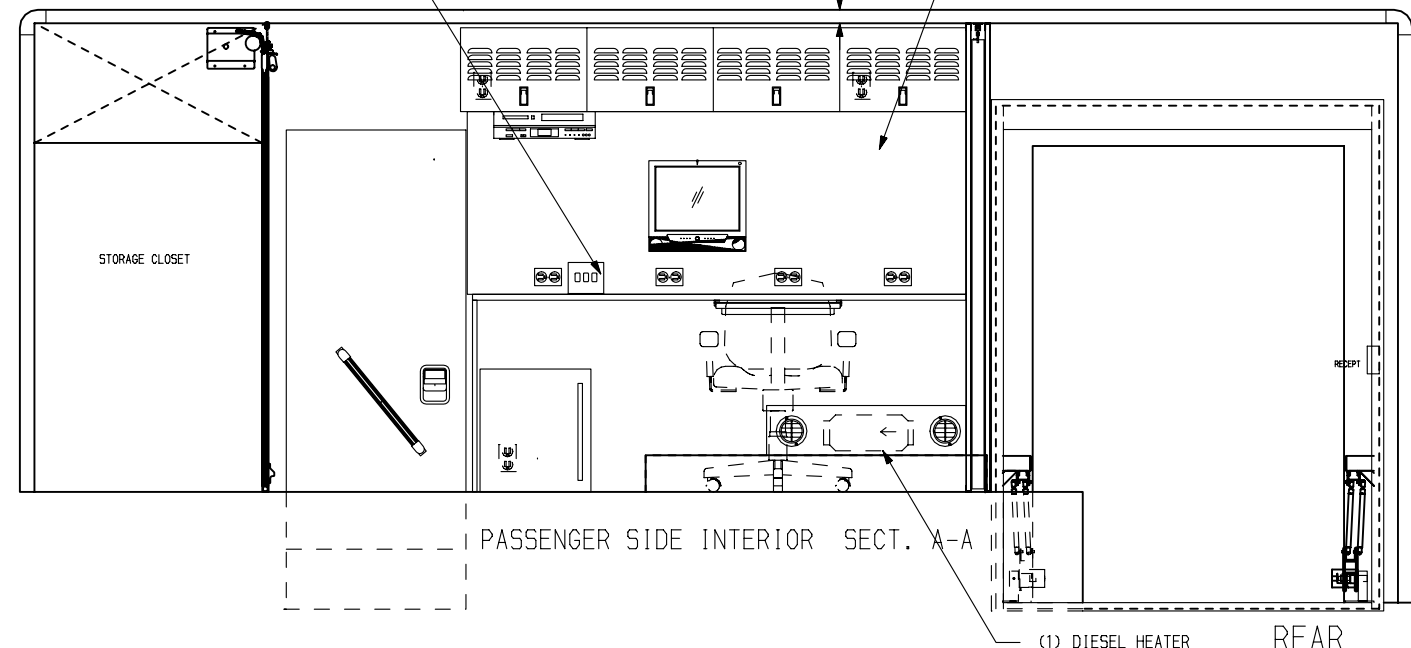


(6) KINEDYNE TIE DOWN TRACKS

(8) RECESSED "D"-RING TIE DOWNS IN FLOOR

TELEPHONE LINE EXTERIOR TO INTERIOR

DRY ERASE/MAGNETIC MATERIAL FROM DESK TOP TO CABINETS



NOTE  
DIMENSIONS SHOWN ARE APPROXIMATE AND ARE SUBJECT TO MINOR DEVIATIONS AS MAY OCCUR OR BE NECESSARY IN CONSTRUCTION. MINOR DETAILS NOT SHOWN.

CUSTOMER APPROVAL

APPROVED BY: \_\_\_\_\_  
DATE: \_\_\_\_\_



JOB NO. 19948

SCALE 1:24 DATE

DRAWN BY DHE 02JUL07

CHECKED BY JJS 11JUL07

SHEET SIZE SHEET NO.

REV	DATE	BY	CH	MODEL
1	14NOV07	EWI	TEO	CHASSIS DATA
2	13OCT07	EWI	TEO	MAKE
3	17AUG07	DHE	JJS	-
4	23JUL07	DHE	JJS	MODEL
				-

TITLE HEAVY DUTY RESCUE WALKIN  
FOR PITTSBURGH POLICE ALLEGHENY, PA  
DWG NO. 19948AD-SH2

2 OF 2