

STAINLESS STEEL BODY

NOTE
DIMENSIONS SHOWN ARE APPROXIMATE AND ARE SUBJECT TO MINOR DEVIATIONS AS MAY OCCUR OR BE NECESSARY IN CONSTRUCTION. MINOR DETAILS NOT SHOWN.

- NOTES:**
- AIR INLET WITH DISCONNECT COUPLING LOCATED IN THE DRIVER'S SIDE LOWER STEP WELL OF CAB
 - FLOOR IN CAB AND CREW CAB TO BE PADDED RUBBER
 - BIG FOOT AUTOMATIC LEVELING SYSTEM
 - WHELEN 500 LED COMPARTMENT LIGHTS
 - COMPARTMENT D3 TO HAVE BOTTOM HINGE DOOR
 - AIR HORNS BEHIND FRONT BUMPER OUTSIDE OF FRAME RAILS

CUSTOMER APPROVAL			
APPROVED BY:			
DATE:			
18FEB08	EWI	TEO	CHASSIS DATA
13DEC07	EWI	JJS	MAKE
20JUN07	EWI	JJS	MODEL
REV	DATE	BY	CH
			SB2000

Pierce MANUFACTURING INC.

TITLE: HEAVY DUTY RESCUE-COMMAND VEHICLE
COMMAND COMMUNICATION VEHICLE

FOR: DETROIT F.D.
DETROIT, MI

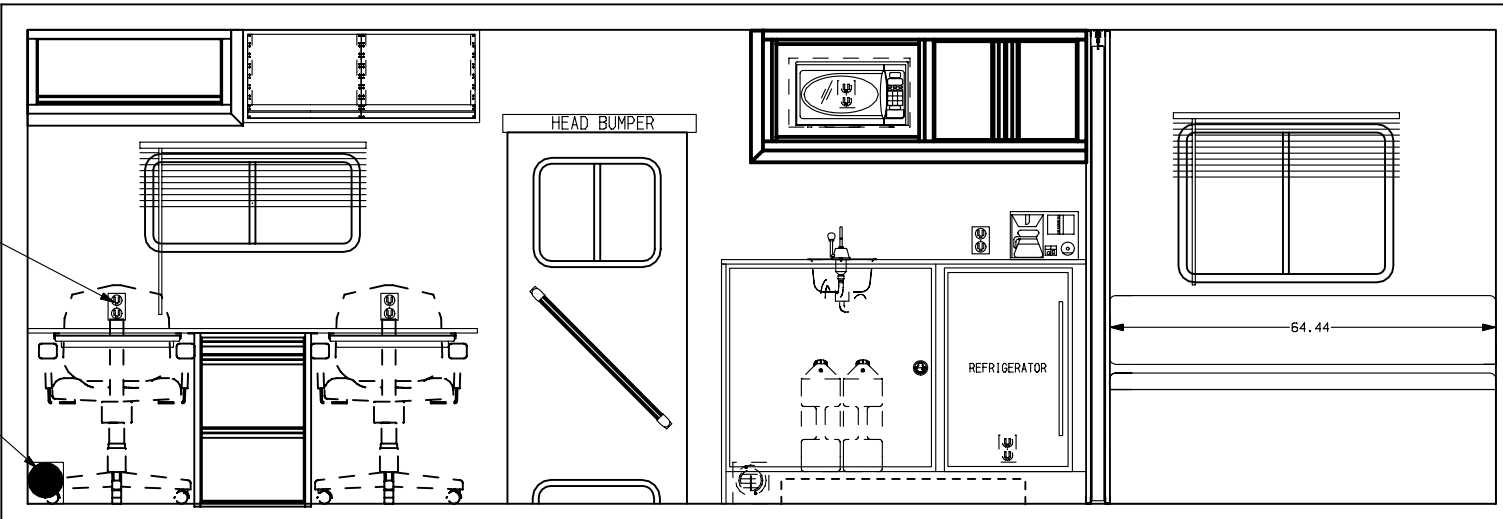
DWG NO. 19880AD-SH1

JOB NO.	19880
SCALE	1:24
DATE	
DRAWN BY	DHE
CHECKED BY	JJS
DATE	05JUN07
SHEET SIZE	D
SHEET NO.	1 OF 2

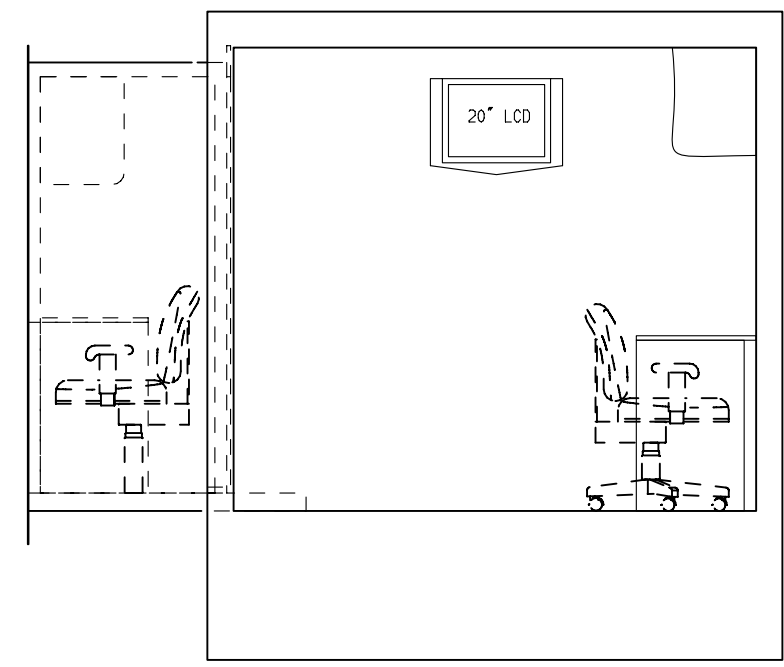
(10) 20A, 120V DUPLEX RECEPTACLES

(3) DIESEL FIRED HEATERS

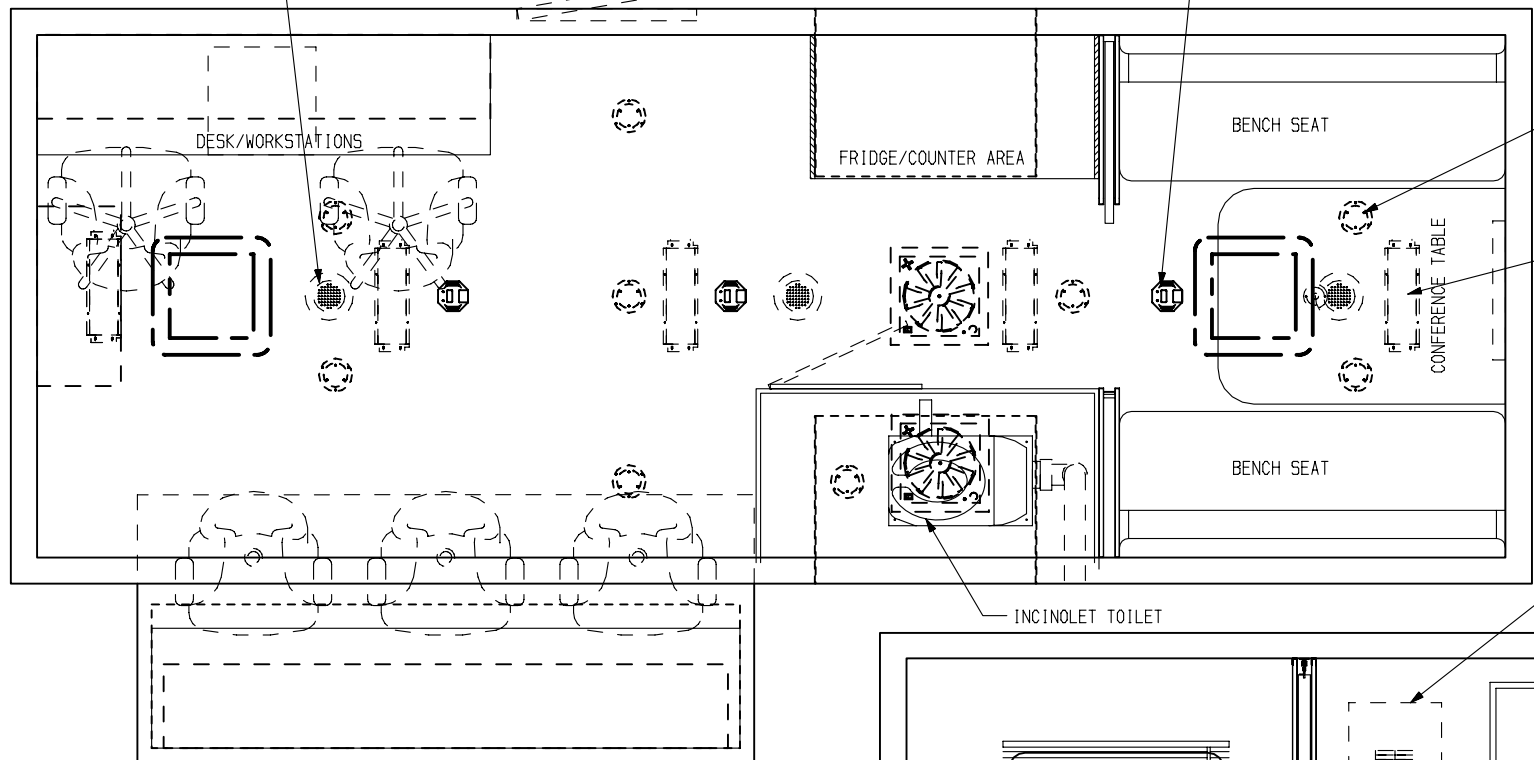
(3) BOGAN SPEAKERS



PASSENGER SIDE INTERIOR SECT. A-A



20" LCD

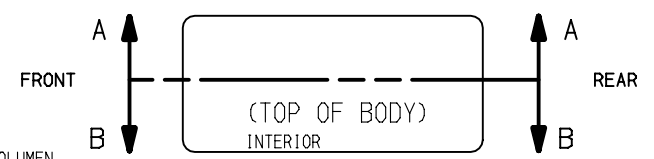


DRIVER SIDE INTERIOR SEC. B-B

(3) CARBON MONOXIDE DETECTORS

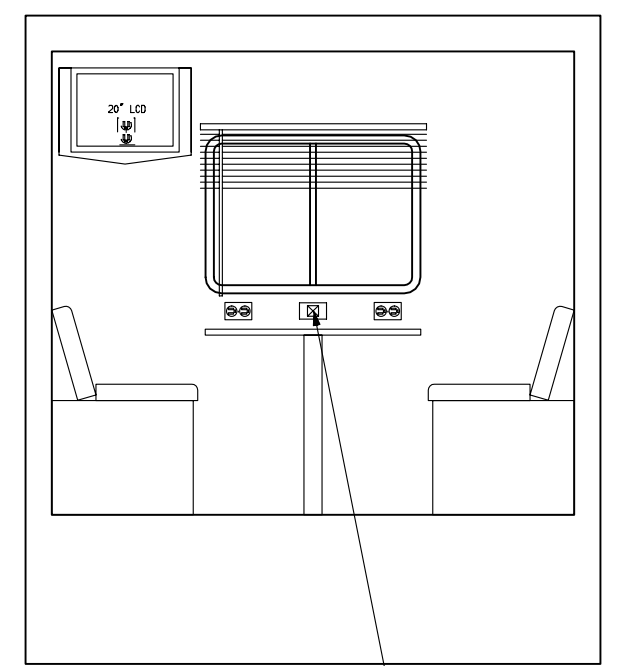
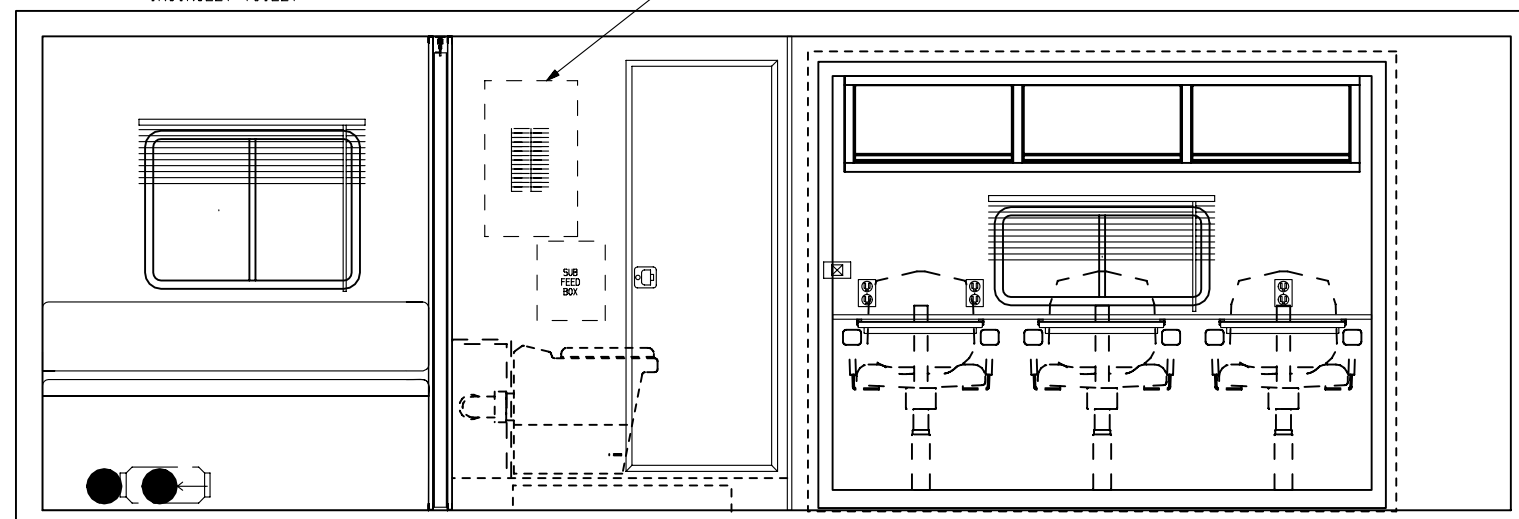
(9) 4" DIA 12V LIGHTS

(5) ROM-DUROLUMEN LIGHTS



CIRCUIT BREAKER PANEL

INCINOLET TOILET



(2) CELL PHONE COAX FEED

NOTE
DIMENSIONS SHOWN ARE APPROXIMATE AND ARE SUBJECT TO MINOR DEVIATIONS AS MAY OCCUR OR BE NECESSARY IN CONSTRUCTION. MINOR DETAILS NOT SHOWN.

NOTES:
1. SIX MOTOROLA RAIDOS INSTALLED

CUSTOMER APPROVAL

APPROVED BY: _____
DATE: _____



JOB NO. 19880

SCALE 1:16 DATE

REV	DATE	BY	CH	MODEL
18FEB08	EWI	TEO	MAKE	
14DEC07	EWI	JJS	-	
20JUN07	EWI	JJS	MODEL	

TITLE HEAVY DUTY RESCUE-COMMAND VEHICLE
COMMAND COMMUNICATION VEHICLE
FOR DETROIT F.D.
DETROIT, MI
DWG NO. 19880AD-SH2

DRAWN BY DHE 05JUN07
CHECKED BY JJS 13JUN07
SHEET SIZE D SHEET NO. 2 OF 2